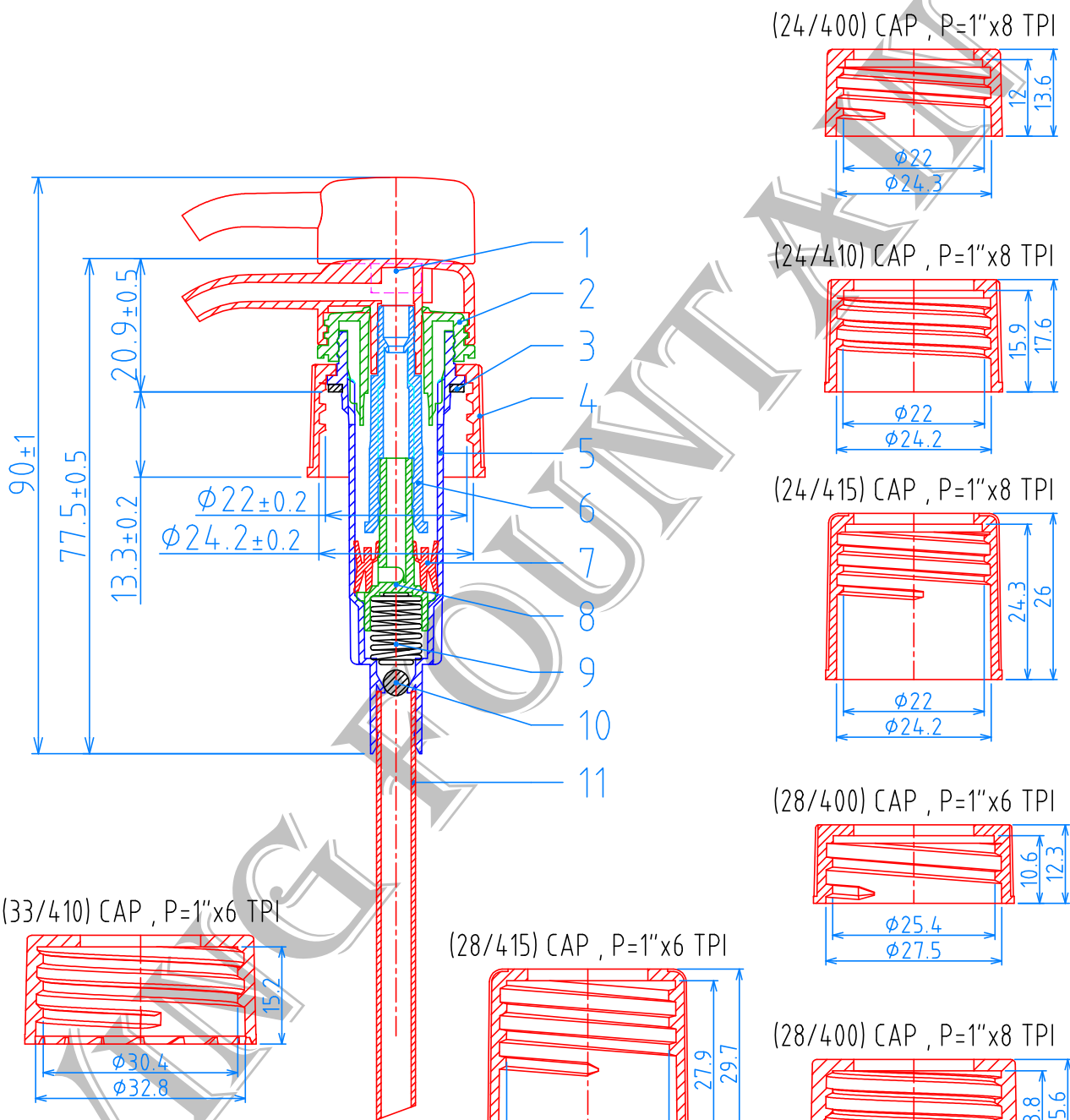




1cc Lotion Pump (DP-105)

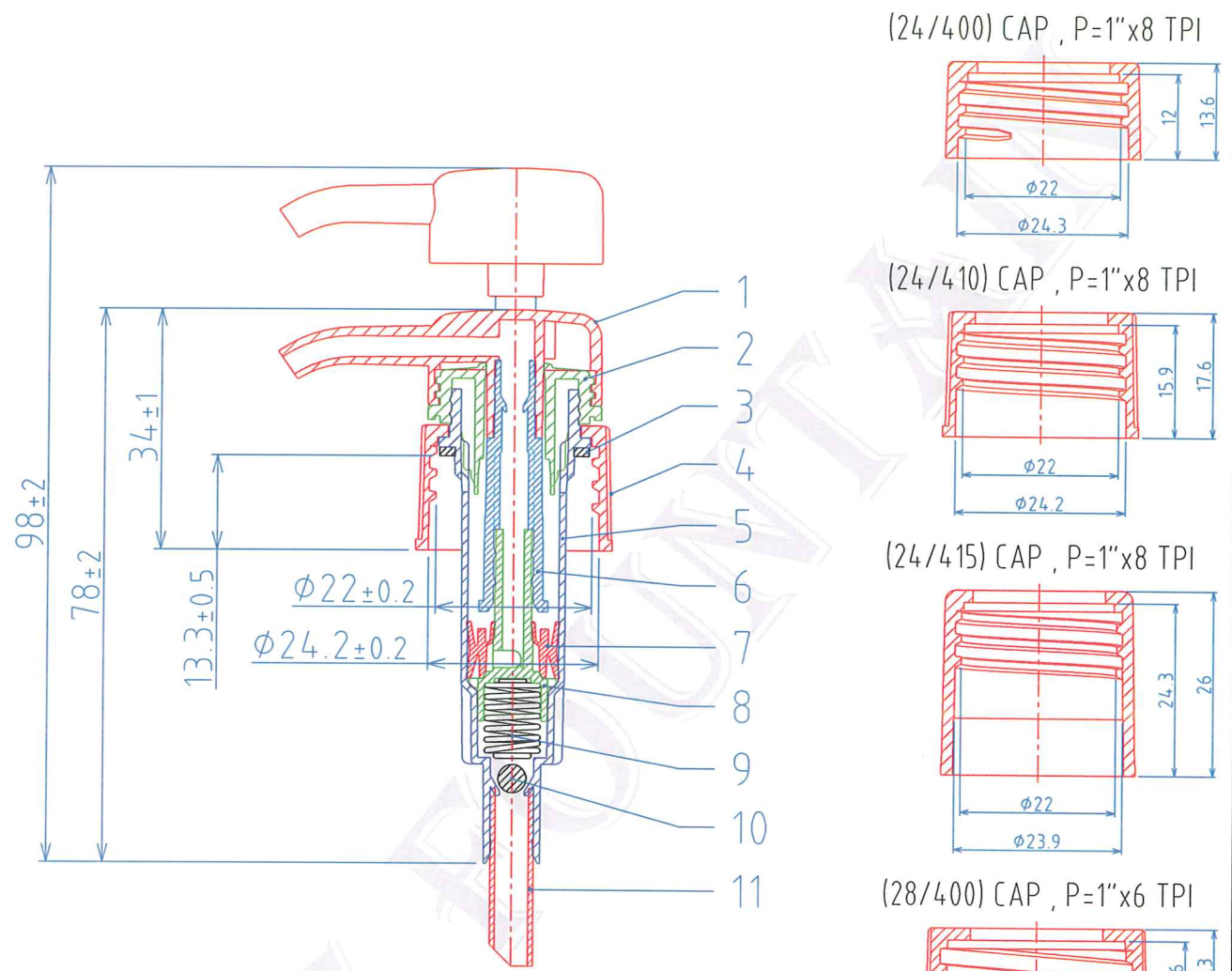


| Item | Description | Material |
|------|------------------|----------|
| 1 | 按頭 ACTUATOR | PP |
| 2 | 結合蓋 CHAPLET | PP |
| 3 | 墊片 GASKET | LDPE |
| 4 | (24/410)牙蓋 CAP | PP |
| 5 | 缸體 HOUSING | PP |
| 6 | 活塞桿 PLUNGER | PP |
| 7 | 活塞環 PISTON RING | LDPE |
| 8 | 活塞座 PISTON BASE | HDPE |
| 9 | 彈簧 SPRING | SUS-304 |
| 10 | 塑膠珠 PLASTIC BALL | ABS |
| 11 | 吸管 TUBE | LDPE |

| | |
|-------------|----------------|
| Date | 2023/09/13 |
| Drawing No. | dp105-a1-24006 |

* 此圖面在未經許可下請勿實行"拷貝"及"製作".

2cc Lotion Pump (DP-205)



(24/400) CAP, P=1"x8 TPI

(24/410) CAP, P=1"x8 TPI

(24/415) CAP, P=1"x8 TPI

(28/400) CAP, P=1"x6 TPI

(33/410) CAP, P=1"x6 TPI

(28/415) CAP, P=1"x6 TPI

(28/400) CAP, P=1"x8 TPI

(30/400) CAP, P=1"x8 TPI

(28/410) CAP, P=1"x6 TPI

| Item | Description | Material |
|------|------------------|----------|
| 1 | 按頭 ACTUATOR | PP |
| 2 | 結合蓋 CHAPLET | PP |
| 3 | 墊片 GASKET | LDPE |
| 4 | (24/410)牙蓋 CAP | PP |
| 5 | 缸體 HOUSING | PP |
| 6 | 活塞桿 PLUNGER | PP |
| 7 | 活塞環 PISTON RING | LDPE |
| 8 | 活塞座 PISTON BASE | HDPE |
| 9 | 彈簧 SPRING | SUS-304 |
| 10 | 塑膠珠 PLASTIC BALL | ABS |
| 11 | 吸管 TUBE | PE/PP |

Date 2018/01/15
Drawing No. dp205-a1-24011

* 此圖面在未經許可下請勿實行"拷貝"及"製作".